



System concept

The 7" customer display Vectron C75 is suitable for display of sales information, logos and advertising images. The images can also be shown as slide show. Furthermore, event-related campaigns/texts can be released on the display. The Vectron C75 can be connected directly to the stationary POS systems Vectron POS Mini II, Vectron POS Vario II and the models of Vectron POS Touch 12 and POS Touch 15.

The customer display is alternatively available in two pole variants with different heights. For optimum alignment to the client's position, the tilt angle of the high-resolution graphical display with LED backlight is fully adjustable. The pole variants can also be swivelled to the side.



Hardware

Technical data of the Vectron C75	
Screen diagonal	17.78 cm (7")
Display type	TFT-LCD with LED backlight
Lighting	white LED backlight
Resolution	800 x 480 pixels
Colours	up to 65,536
Contrast	600:1
Brightness	max. 200 cd/m ²
Viewing angle	horizontal 70°, vertical 60°
Supported POS models	Vectron POS Mini II, Vectron POS Vario II, the models of Vectron POS Touch 12 and POS Touch 15
Housing	high-quality PC-ABS plastic housing; imprinted glass in front of the LCD
Connection	via internal display cable to POS system or per USB standard cable to one of the USB ports of the POS system
Power supply	via internal display cable to POS system or per USB standard cable to one of the USB ports of the POS system
Temperature	Storage: -10 to 50 °C Operation: 0 to 40 °C
Dimensions	see drawings
Weight	537 g: Vectron C75 incl. joint for mounting to POS system 2.372 g: Vectron C75 to short pole 2.522 g: Vectron C75 to long pole





Software

Technical data of the Vectron C75	
System requirements	Vectron POS system with K5-electronics and operating system 2.0.1.0 or higher
Display partition	various layouts selectable
Image display	background image and slide show possible
Slide show	Full screen and/or integrated in booking display; intervals adjustable
Supported file formats	JPEG (other formats planned)
Colours	font- and background colours adjustable
Character sets	Latin 1, Latin 2, Latin 5
Display of entries	adjustable via output formats
Hold buffer floating	is supported

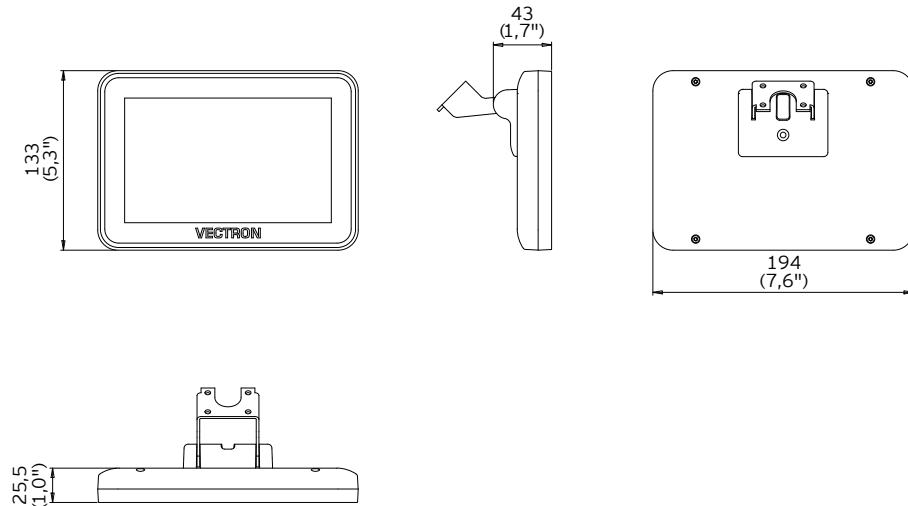
Shipment

Vectron C75	
Standard shipment	Customer display Vectron C75 as per order Dispatch box
Order variants	20040056 - Customer display Vectron C75 integrated at POS system optional accessories: mounting set for the respective POS system (hinge, covers, screws)
	11010211 - Customer display Vectron C75 Pole short incl. connection cable
	11010212 - Customer display Vectron C75 Pole long incl. connection cable
	20040075 - Customer display Vectron C75 black integrated at POS system optional accessories: mounting set for the respective POS system (hinge, covers, screws)
	11010216 - Customer display Vectron C75 Pole short black incl. connection cable (not available yet)
	11010217 - Customer display Vectron C75 Pole long black incl. connection cable (not available yet)

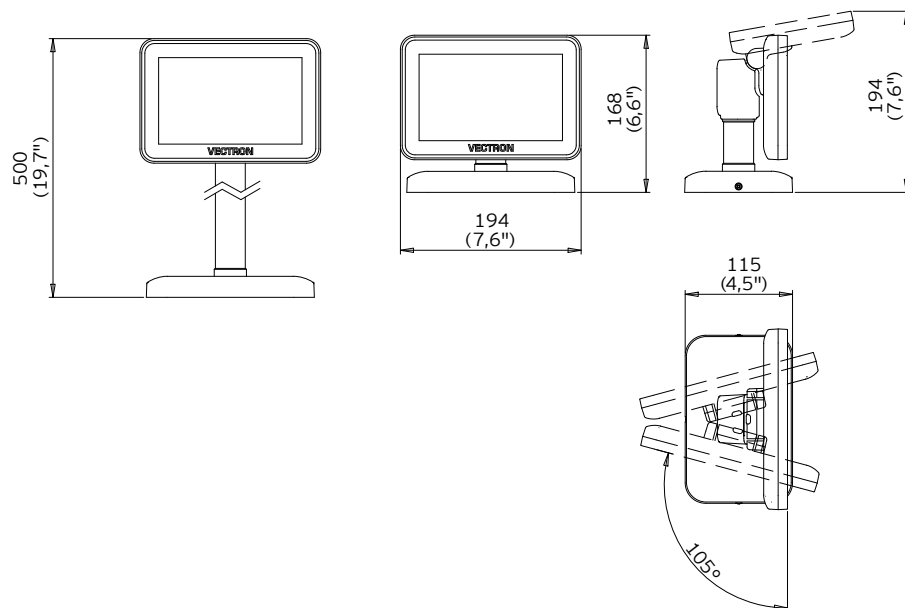


Dimensions (in mm and inch)

Dimensions customer display Vectron C75



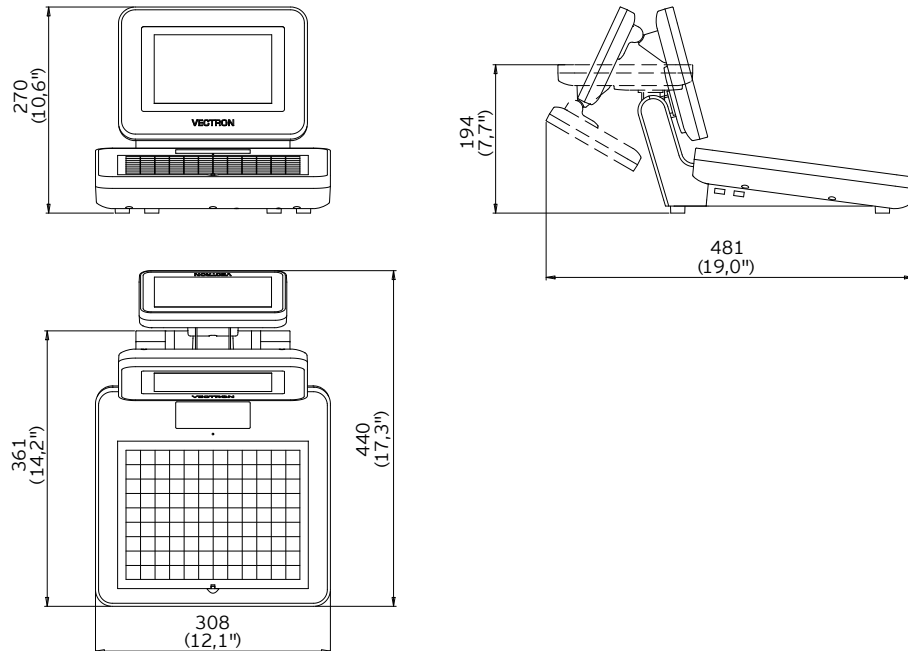
Dimensions customer display Vectron C75 pole version



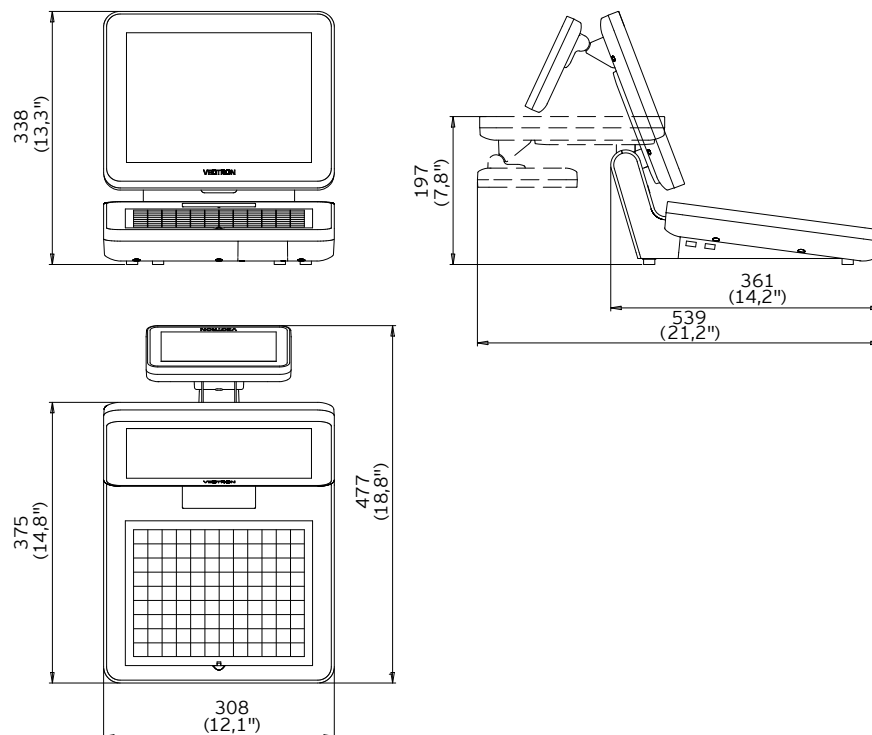
DATA SHEET
CUSTOMER DISPLAY VECTRON C75



Dimensions customer display Vectron C75 at Vectron POS Mini II



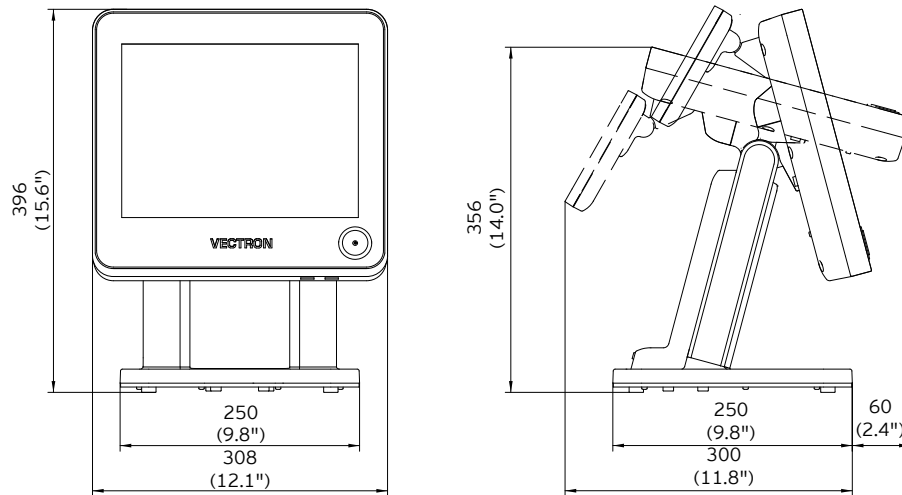
Dimensions customer display Vectron C75 at Vectron POS Vario II



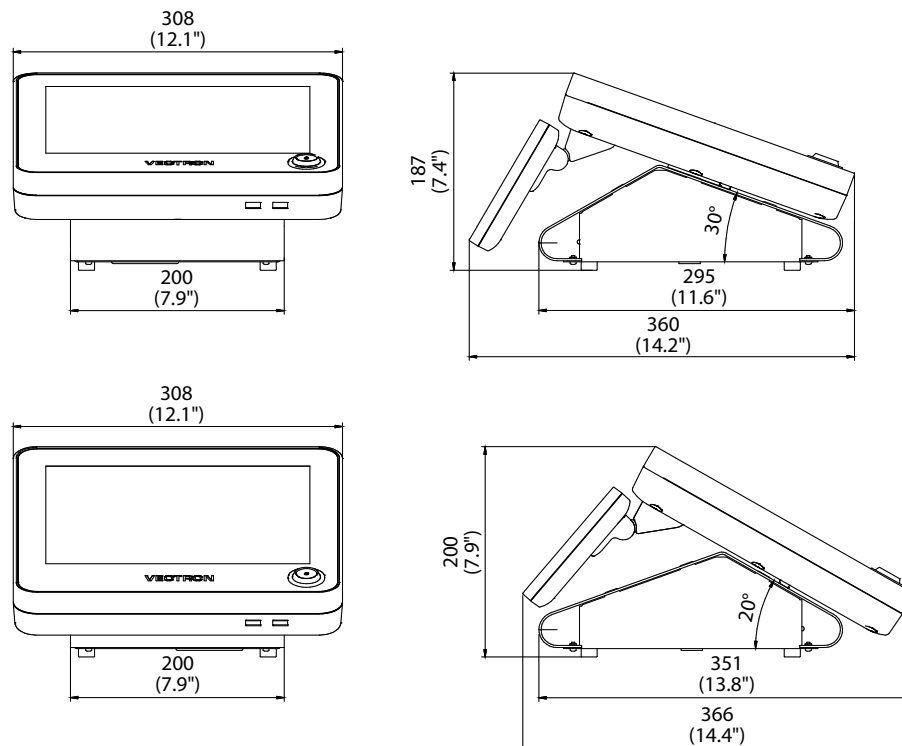
DATA SHEET
CUSTOMER DISPLAY VECTRON C75



Dimensions customer display Vectron C75 at Vectron POS Touch 12 incl. foot S400



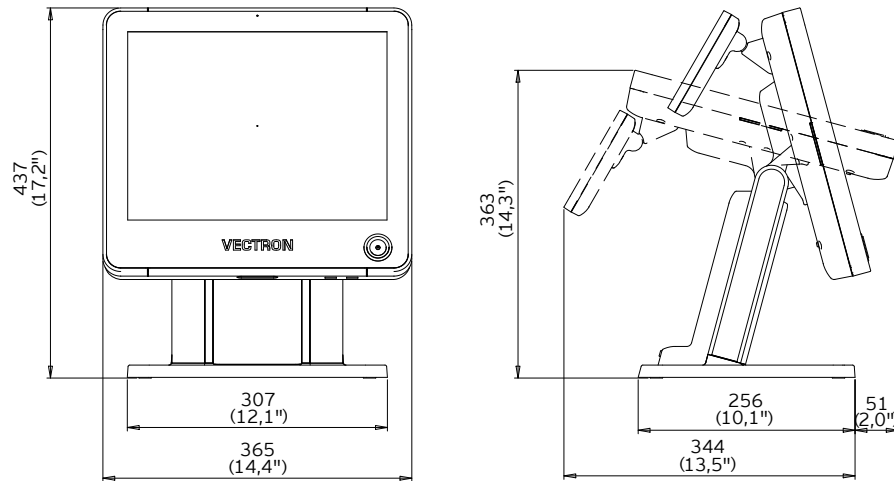
Dimensions customer display Vectron C75 at Vectron POS Touch 12 incl. foot S500



DATA SHEET
CUSTOMER DISPLAY VECTRON C75



Dimensions customer display Vectron C75 at Vectron POS Touch 15 incl. foot S420



Dimensions customer display Vectron C75 at Vectron POS Touch 15 incl. foot S500

